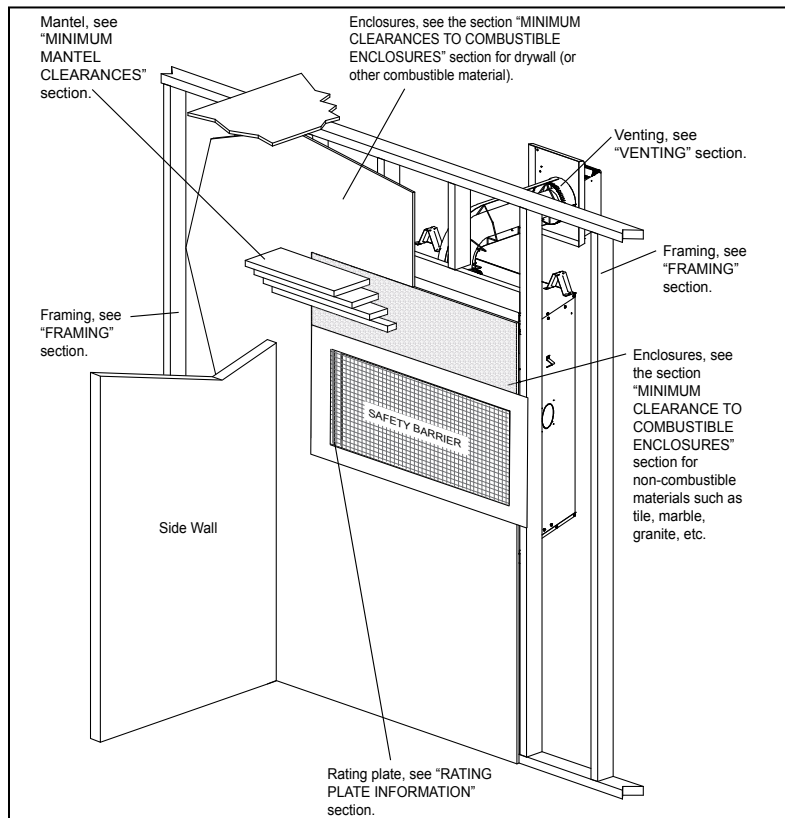


VECTOR™ 45 DIRECT VENT GAS FIREPLACE

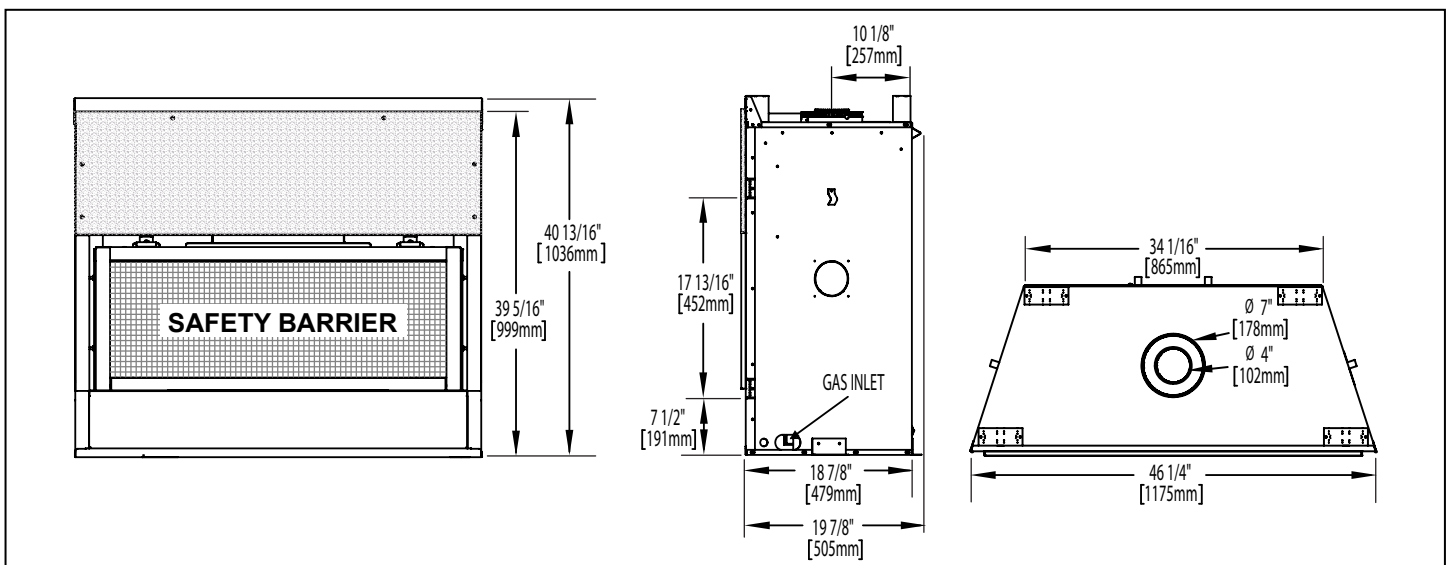
Specifications

Model	BTU	Width		Height		Depth		Glass
		Actual	Framing	Actual	Framing	Actual	Framing	
LHD45	24,000	46 1/4"	46 3/4"	40 13/16"	41 1/4"	19 7/8"	20 1/8"	17 13/16" x 40 7/8"

Overview



Dimensions



VECTOR™ 45 DIRECT VENT GAS FIREPLACE

Framing & Clearances

Minimum Fireplace Clearances

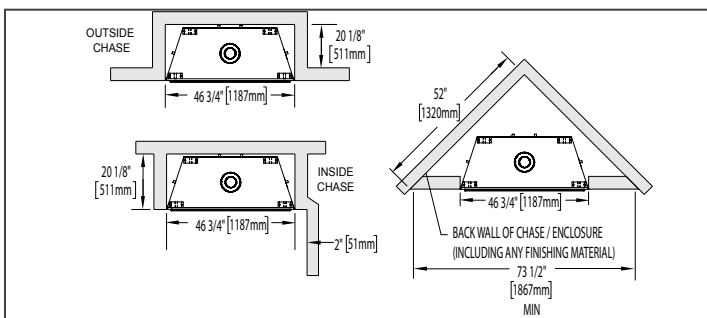
FRAMING			MAINTAIN THESE MINIMUM CLEARANCES TO COMBUSTIBLES FROM APPLIANCE AND VENT SURFACES:						
ROUGH OPENING			TO CEILING FROM BASE OF APPLIANCE	TO CEILING FROM TOP OF APPLIANCE OPENING	SIDE WALL	TO COMBUSTIBLE FINISHING ABOVE APPLIANCE	TOP OF VENT PIPE	SIDES AND BOTTOM OF VENT PIPE	REAR & SIDE STAND-OFFS
HEIGHT	WIDTH	DEPTH							
41 1/2" (1048mm)	46 1/4" (1188mm)	20 1/8" (511mm)*	56" (1422mm)	30 1/8" (780mm)	2" (51mm)	14" (356mm)	2" (51mm)**	1" (25mm)**	0" (0mm)

* When constructing the enclosure allow for finishing material thickness to maintain clearances.

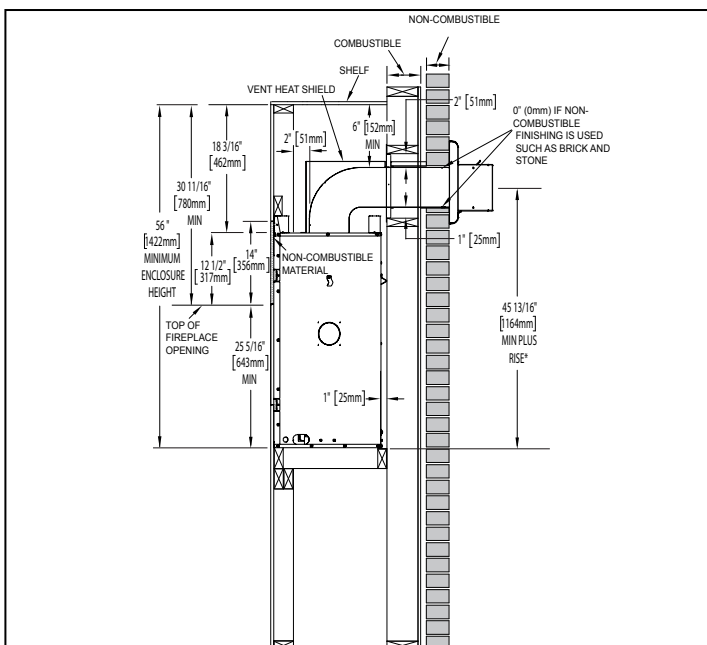
** **HORIZONTAL VENT SECTIONS:** A minimum clearance of 2" (51mm) to the top and 1" (25mm) to the sides and bottom of the vent pipe on all horizontal runs to combustibles is required. Horizontal vent sections within enclosures require a minimum clearance of 6" (152mm) at the top of the vent pipe, see "MINIMUM CLEARANCE TO COMBUSTIBLE ENCLOSURES" section. Use firestop spacer W010-1777 (supplied).

** **VERTICAL VENT SECTIONS:** A minimum of 1" (25mm) all around the vent pipe on all vertical runs to combustibles is required except for clearances in appliance enclosures. Vertical vent sections within enclosures require a minimum clearance of 2" (51mm) around the vent pipe. Use firestop spacer W500-0096 (not supplied).

Appliance Location

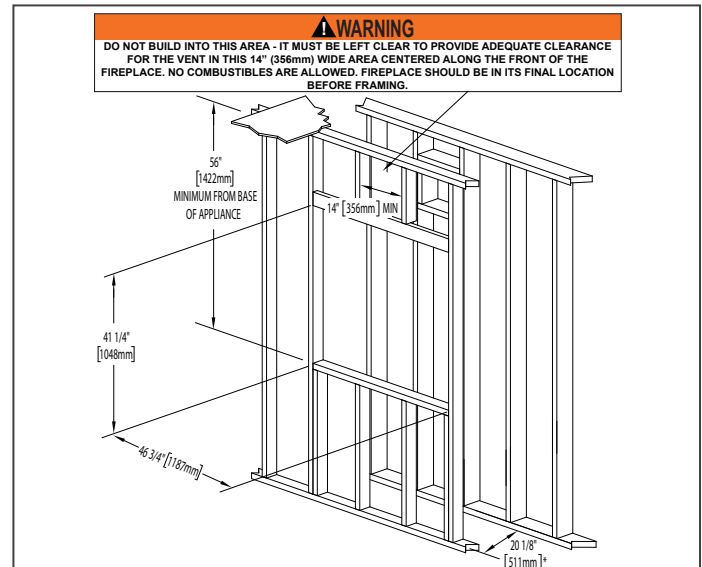


Wall Penetration

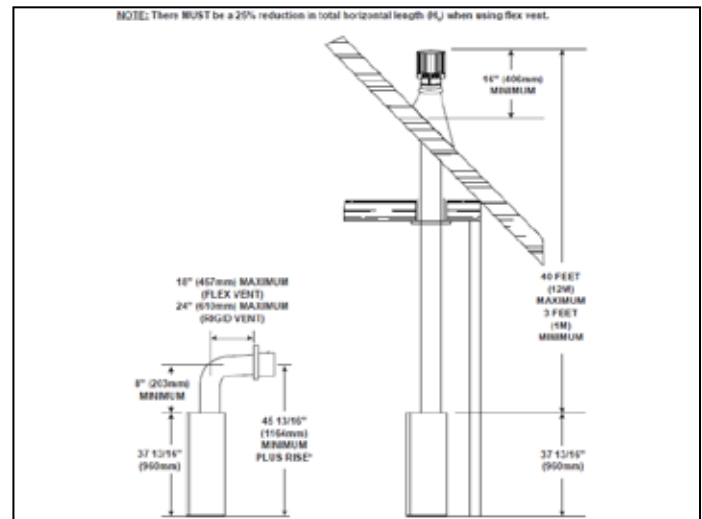


Product information provided is not complete and is subject to change without notice. Please consult the installation manual for the most up to date installation information.

Framing Dimensions



Minimum Vertical Vent Rise



Combustible Mantel Clearances

